



MegaPulse

DF-80PF DSW 12s

PN:00-MPDF-80PF DSW 12s

❖ Surge Tester, Damped Sine Wave Output DF80 App DD.



The MegaPulse DF-80PF DSW 12s Surge Tester is designed to conduct the test shown in AAMI DF80, App. DD, Table US.DD.1 and Figure US.DD.1 - Damped sinusoidal waveform parameters. The resulting waveform is in accordance with those requirements.

Designed with a 12s continuous duty cycle within tolerances and a long-life capacitor.

The power output of the DF-80PF DSW is 360J.

Positive and negative pulses can be delivered manually using the front panel buttons, or the pulses can be set to operate under optional PC control.

*Actual products may vary depending on options and configuration.

➤ Features

- Digital output voltage knob on the front panel.
- Integrated High Voltage on hold circuit.
- External interlock disables HV output and defeats test when circuit is open.
- 12s continuous duty cycle.
- Long life capacitor rated for 2.5 million pulses.
- USB TestMinder, computer control available.
- Integrated energy measurement option available.
- Auto-trigger via USB.
- Front panel indicates internal HV and polarity.
- Polarity button selector on the front panel.
- Microcontroller technologies.
- Leads, manual and calibration certificate included.
- One year calibration cycle
- One year warranty.



➤ Specifications

TESTING CIRCUITRY

Charge Voltage:	5100V \pm 1%.
Main Capacitance:	32 μ F \pm 5%.
Inductances:	25mH \pm 5%.
Main Resistance (R1):	100 Ω \pm 1% non-inductive. Other values available per request.
Output Impedance:	10 Ω \pm 1% non-inductive.
Voltage Control:	Manually, by turning a knob in the front panel or via USB.
Polarity Control:	Positive and Negative. Alternating control available with USB.
Voltage Display:	4 Digit LED Display.
Voltage Meter resolution:	5V.
Voltage Meter Accuracy:	\pm 1%.
Duty Cycle:	12s between pulses, continuous duty.

ELECTRICAL

Line Voltage:	120V AC, 50/60Hz. 220V AC, 230V AC, 240V AC, 50/60Hz available.
---------------	--

SAFETY

Safety Interlock	2-pin terminal block on rear panel; shorted for operation.
------------------	--

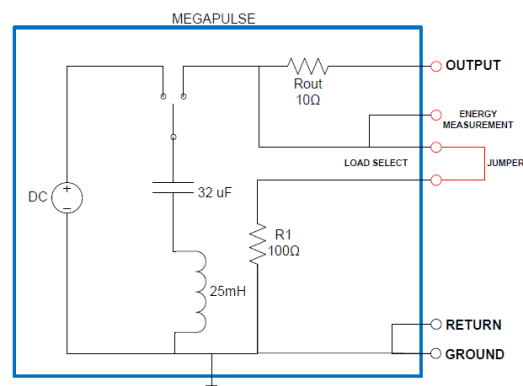
OUTPUTS - FRONT

10 Ω , SHORT, OPEN, ENERGY M.:	High Voltage insulated rigid 4mm socket – Red.
RETURN, GROUND:	High Voltage insulated rigid 4mm socket – Black.

OUTPUTS - REAR

INTERLOCK:	2-pin terminal block.
DB9:	DB9 Female (when 00-TMM-PF ordered).
Inlet Module:	Inlet module with fuse and power switch combination.

➤ Diagram



➤ Environmental

Operating Temperature: 15-28 °C.
Relative Humidity Range: 0-90% non-condensing.

➤ General

Dimensions: 17" wide x 6U high x 17" deep.

Weight: 40 lbs. approx.

Product Package:

- Megapulse DF-80PF DSW 12s Tester.
- Megapulse DF-80PF DSW User Manual.
- High Voltage Test Leads Qty 2 (Red), Qty 2 (Black)
- High Voltage Jumper Qty 1 (Red)
- NIST traceable calibration certificate to ANSI Z540
- Calibration waveforms

➤ Options

00-TMM-PF: TestMinder Computer Software, Computer Control.

00-RI: Isolated Relay Interface, Trigger, Charge, Polarity (24V).

00-XIC: PATLITE, Red and Green Indicator Tower for Charging Status.

00-MP220, MP230, MP240: 220V, 230V or 240V mains tester operation available.

00-CASE-9U: Pelican Case with foam for 6U and 9U units.

