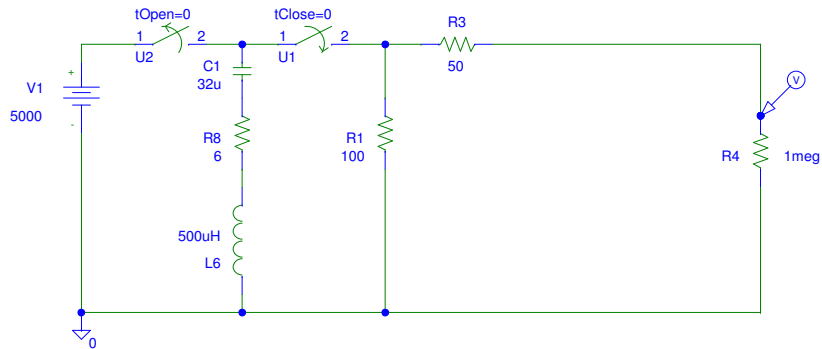


Pspice Simulation Defib-5



OrCAD, Inc.
13221 S.W. 68th Parkway, Suite 200
Beaverton, OR 97223
(503) 671-9500 (800) 671-9505

Page Size: A

Revision: -

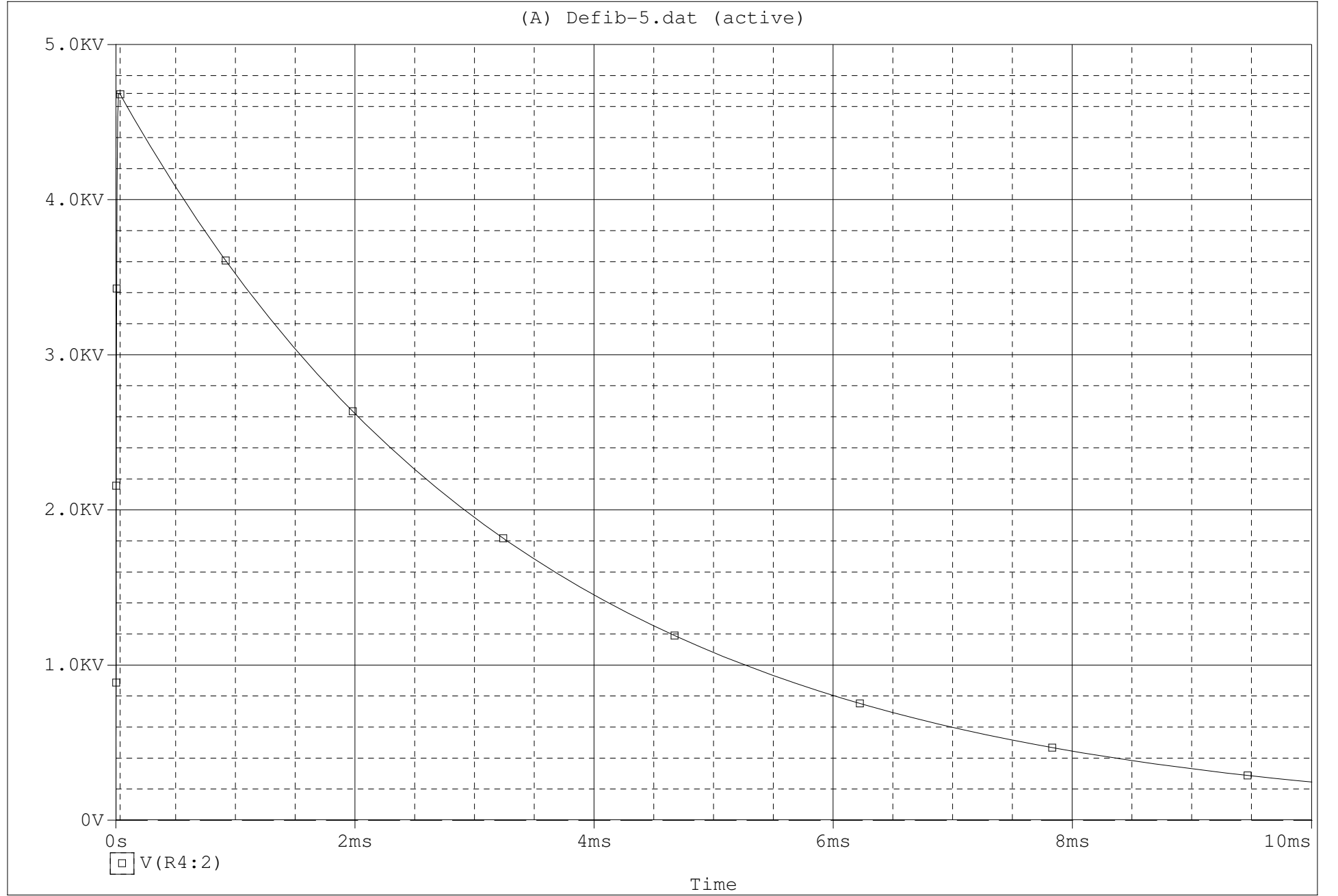
January 1, 2000

Page 1 of 1

Peak Voltage Defib-5

Date/Time run: 06/24/08 09:48:05

Temperature: 27.0



A1: (35.088u, 4.6850K) A2: (0.000, 499.875m) DIFF(A): (35.088u, 4.6845K)

Date: June 24, 2008

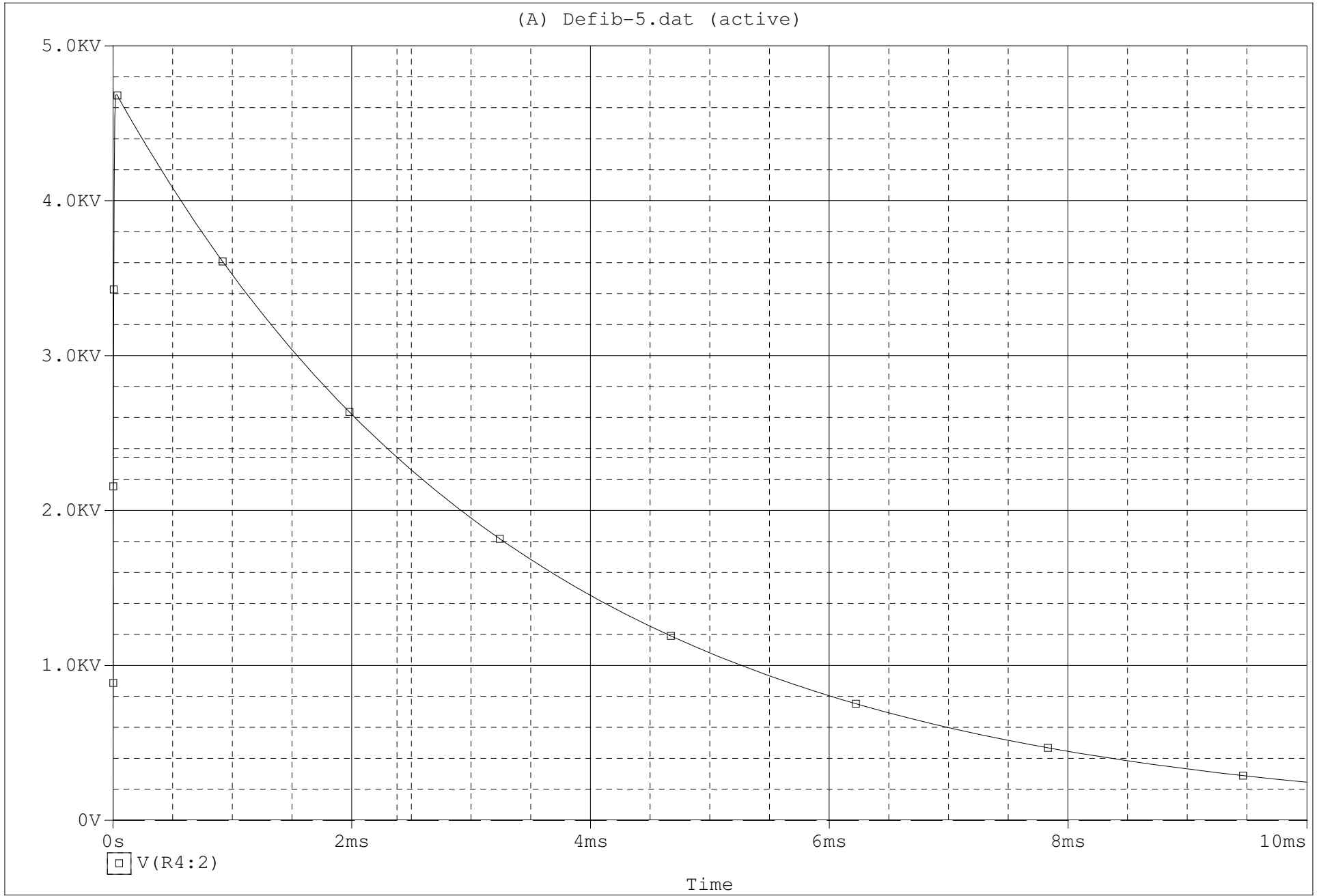
Page 2

Time: 09:48:40

Duration Voltage Defib-5

Date/Time run: 06/24/08 09:48:05

Temperature: 27.0



A1: (2.3772m, 2.3450K) A2: (0.000, 499.875m) DIFF(A): (2.3772m, 2.3445K)

Date: June 24, 2008

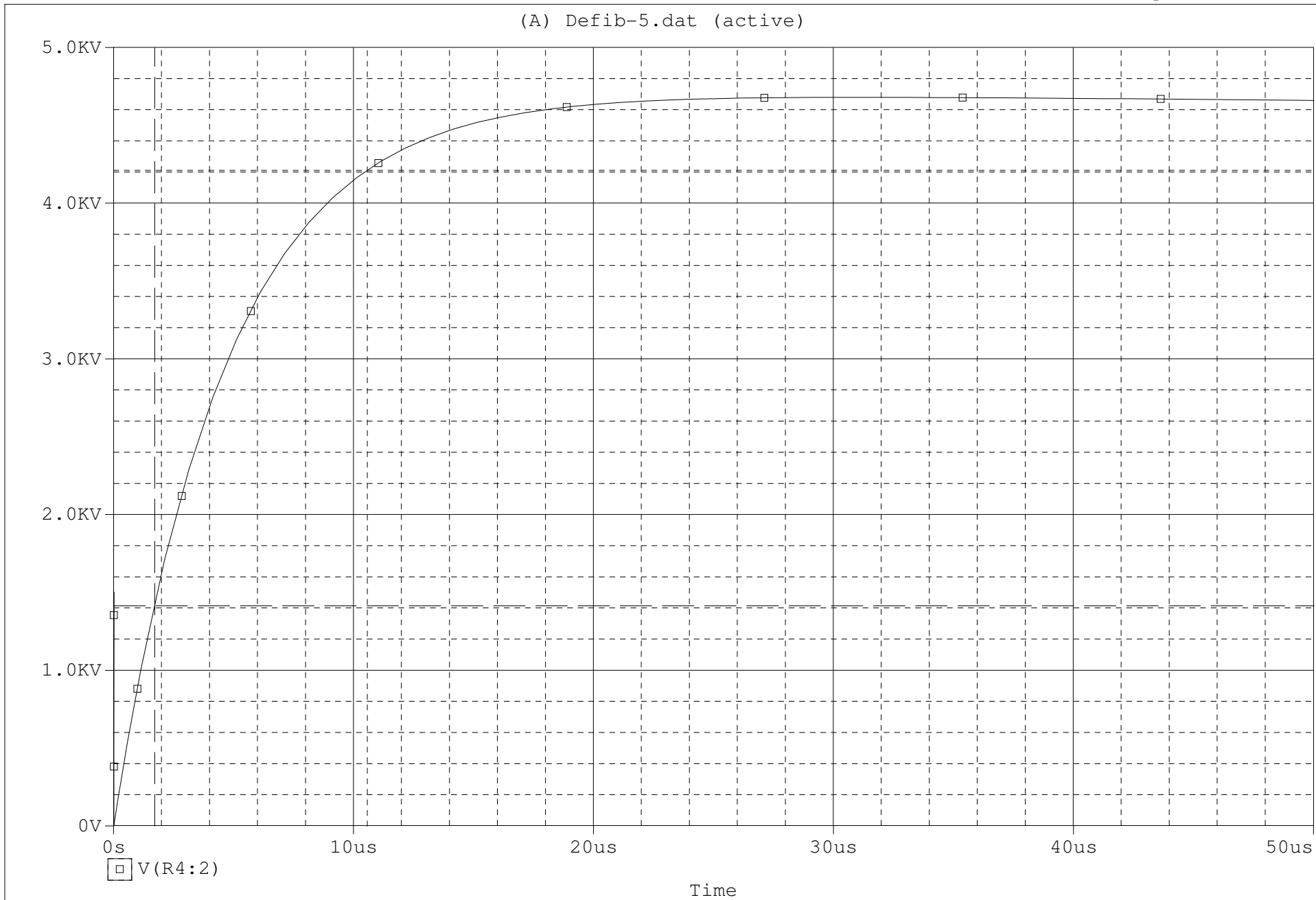
Page 3

Time: 09:51:18

Rise Time Defib-5

Date/Time run: 06/24/08 09:52:47

Temperature: 27.0



A1: (10.570u, 4.2106K) A2: (1.7105u, 1.4148K) DIFF(A): (8.8597u, 2.7958K)

Date: June 24, 2008

Page 4

Time: 09:54:30