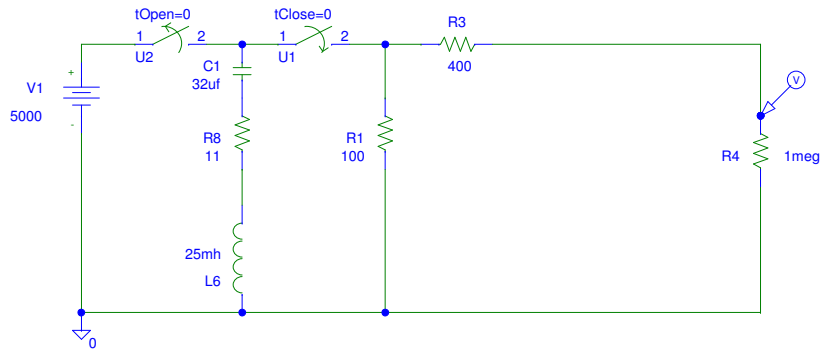


Pspice Simulation for Defib-5 EC13 option



OrCAD, Inc.
13221 S.W. 68th Parkway, Suite 200
Beaverton, OR 97223
(503) 671-9500 (800) 671-9505

Page Size: A

Revision: -

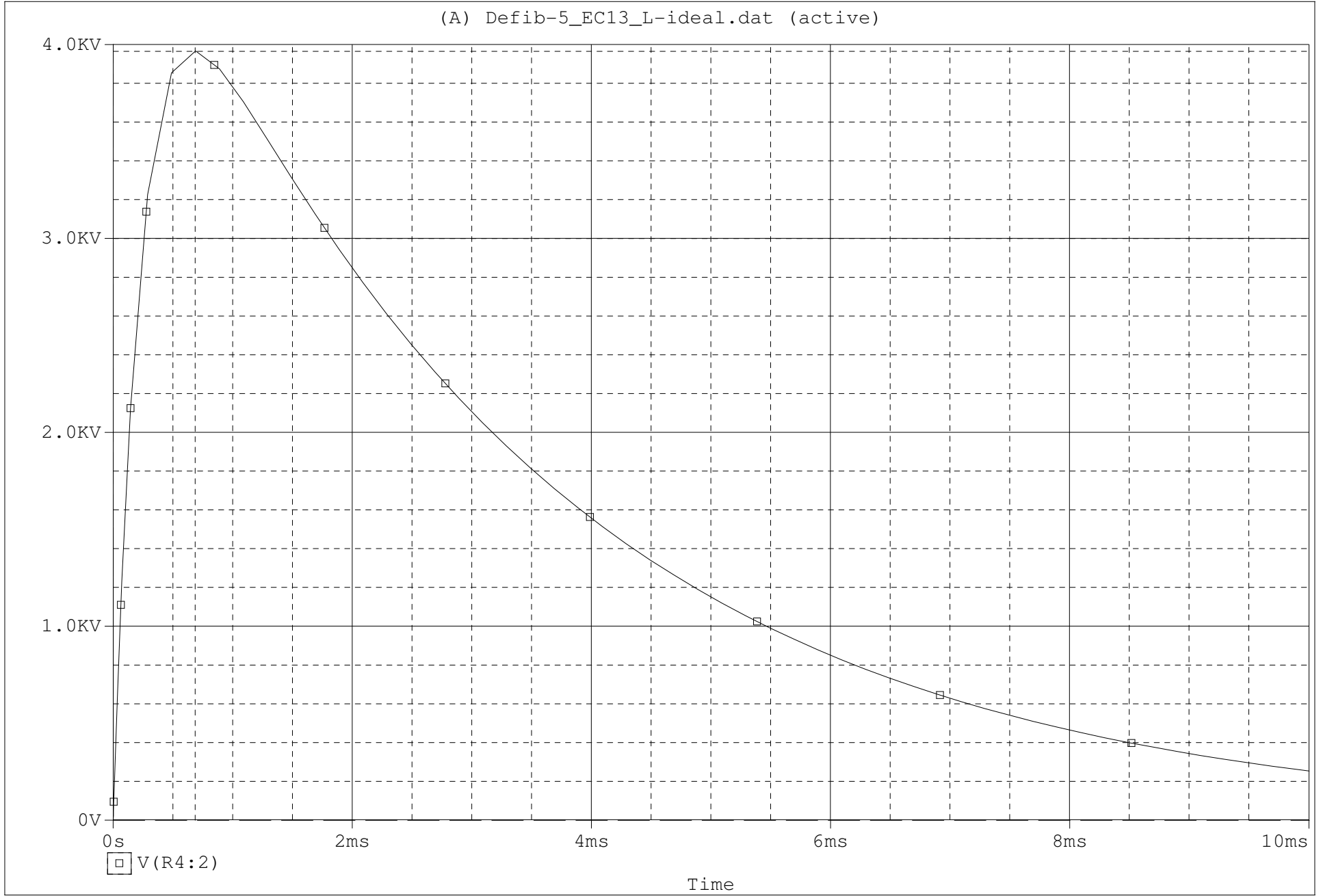
January 1, 2000

Page 1 of 1

Peak Voltage Defib-5 EC13 option

Date/Time run: 06/24/08 09:39:16

Temperature: 27.0



A1: (684.211u, 3.9648K) A2: (0.000, 499.700m) DIFF(A): (684.211u, 3.9643K)

Date: June 24, 2008

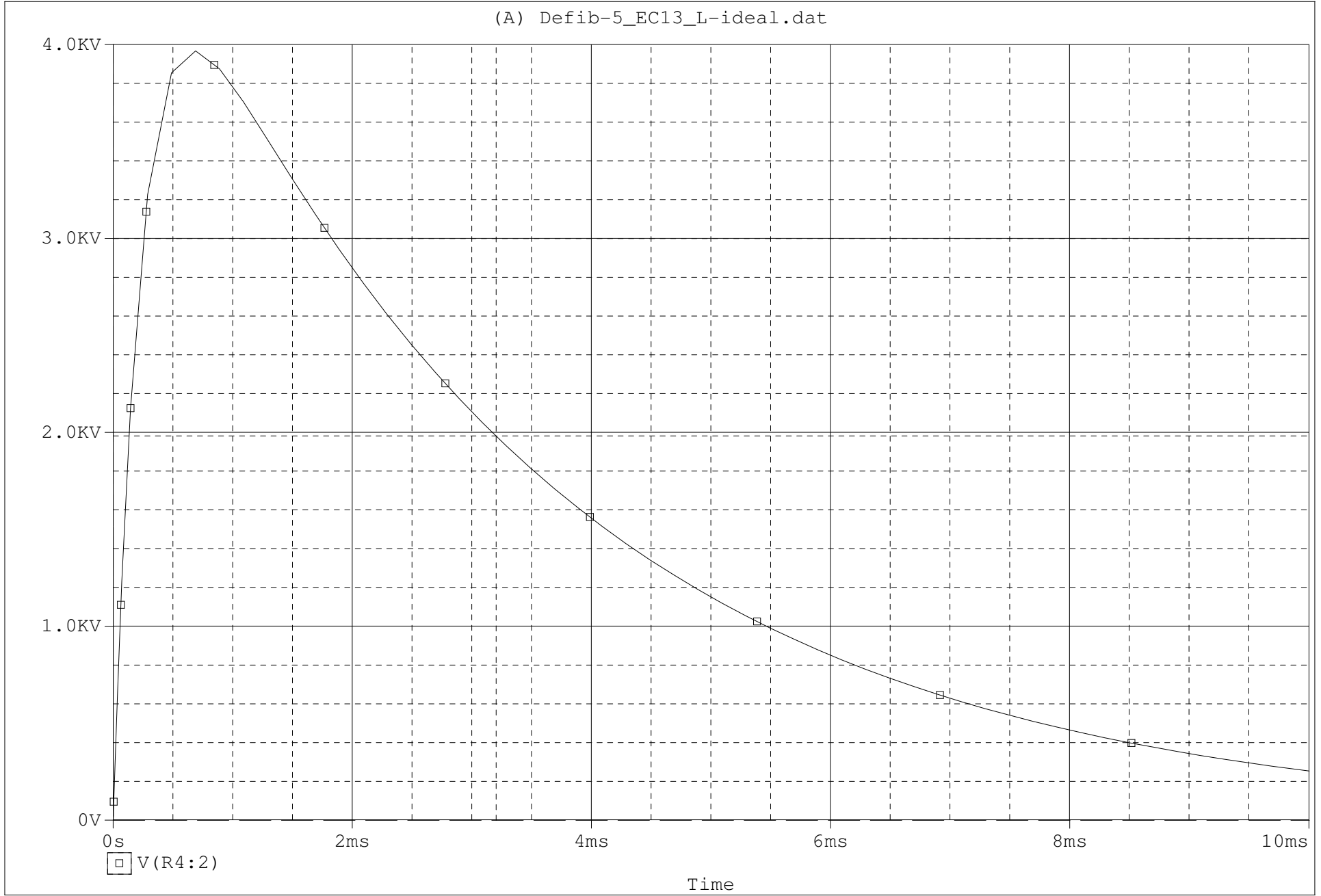
Page 2

Time: 09:40:33

Duration Voltage Defib-5 EC13 option

Date/Time run: 06/24/08 09:39:16

Temperature: 27.0



A1: (3.2018m, 1.9816K) A2: (0.000, 499.700m) DIFF(A): (3.2018m, 1.9811K)

Date: June 24, 2008

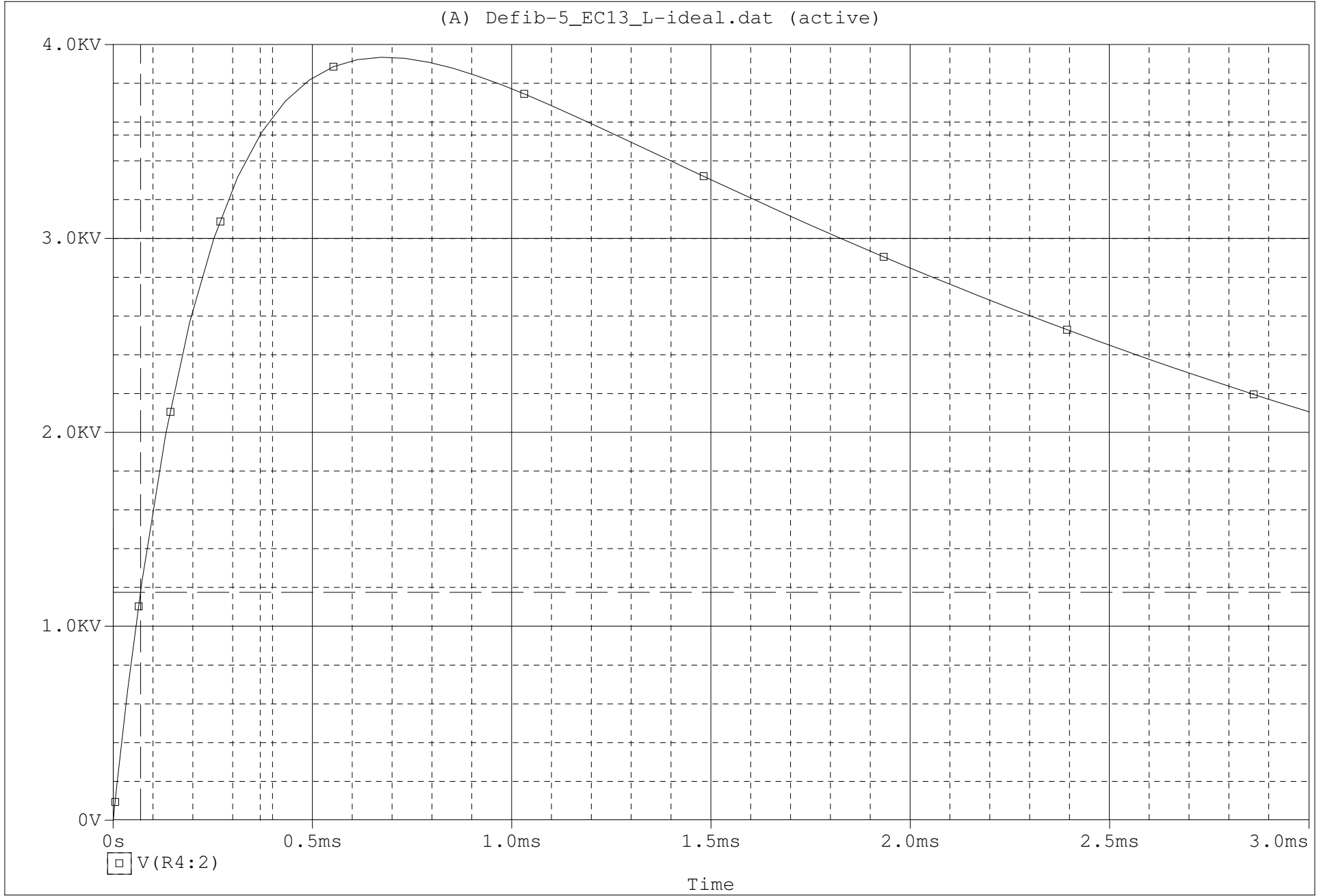
Page 3

Time: 09:44:33

Rise time Defib-5 EC13 option

Date/Time run: 06/24/08 09:35:15

Temperature: 27.0



A1: (368.421u, 3.5333K) A2: (68.421u, 1.1757K) DIFF(A): (300.000u, 2.3576K)

Date: June 24, 2008

Page 4

Time: 09:37:51